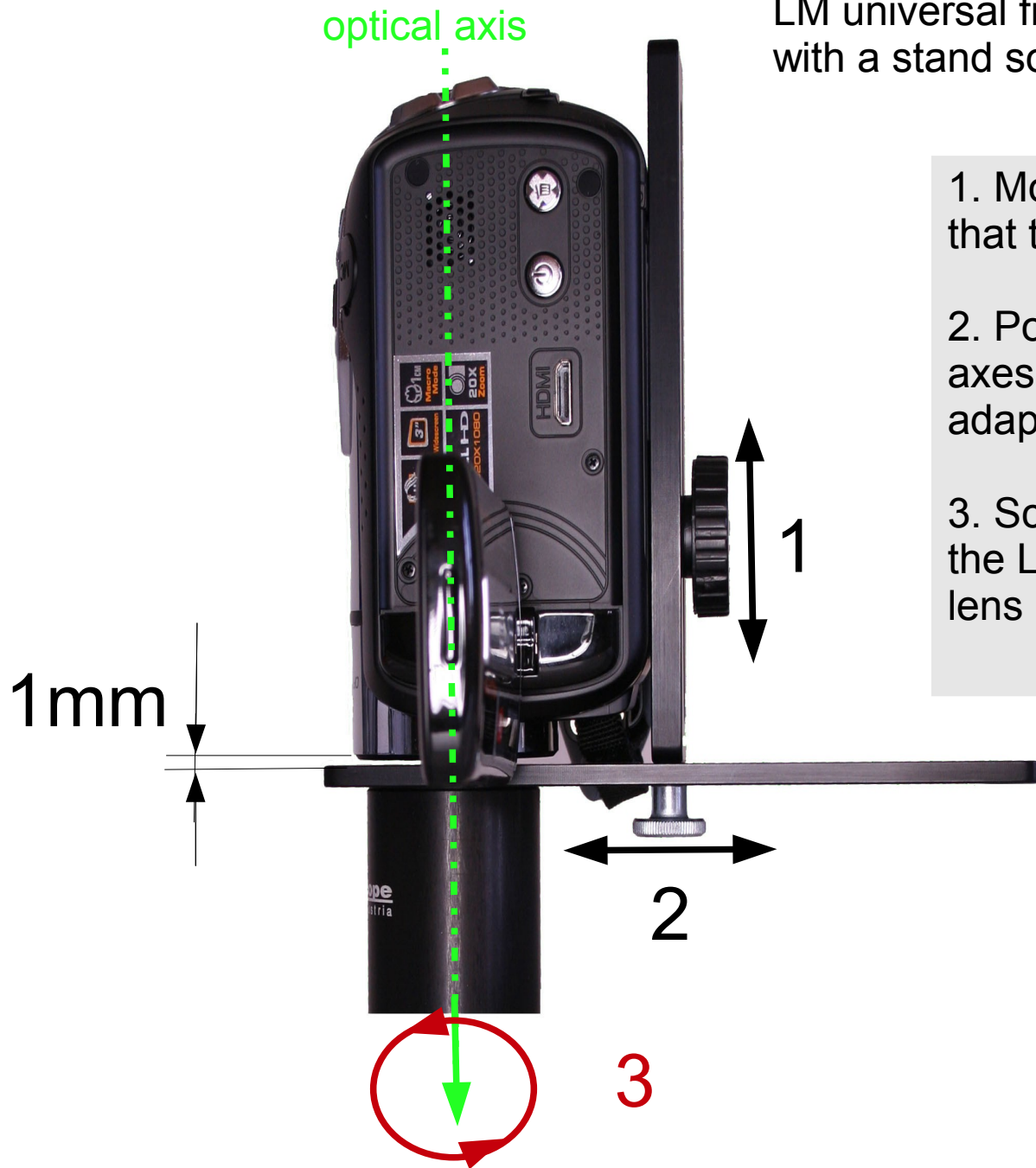


LM universal filter adapter [DFA] for compact cameras with a stand socket



1. Mount the camera on the vertical rail so that there is a gap of one millimetre
2. Position the camera so that the optical axes of the camera and the LM digital adapter or LM DSLR macro lens are aligned
3. Screw the camera unit and the DFA onto the LM digital adapter or LM DSLR macro lens